

Technical Specification



Index :

1. Basics Overview
2. Structural Characteristics
3. Structure Measurements
4. Montage Plates Measurements
5. Reflector Information
6. Additional Information

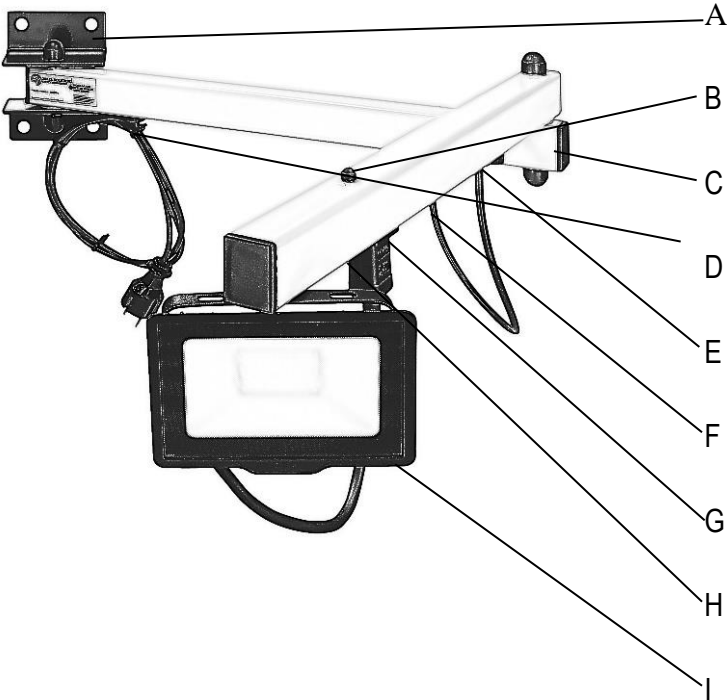
1. Basics Overview

Upgrade your dock lighting with the durable DS dock light. Don't settle for easily breakable traditional lights, the indestructible heavy-duty LED option is designed to handle the toughest conditions and provide efficient and long-lasting illumination. It is not just a functional equipment, but also with its sleek and modern design, it adds aesthetic value to the area.

The LED technology used in the DS dock light is energy efficient and provides ample illumination, making it easy to see and navigate the dock area even in low light conditions. With its long lifetime, low energy consumption, and extensive illumination, the DS dock light is the perfect choice for any dock or loading area.

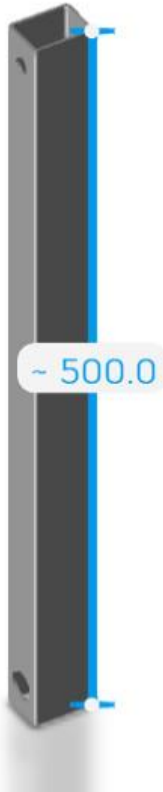
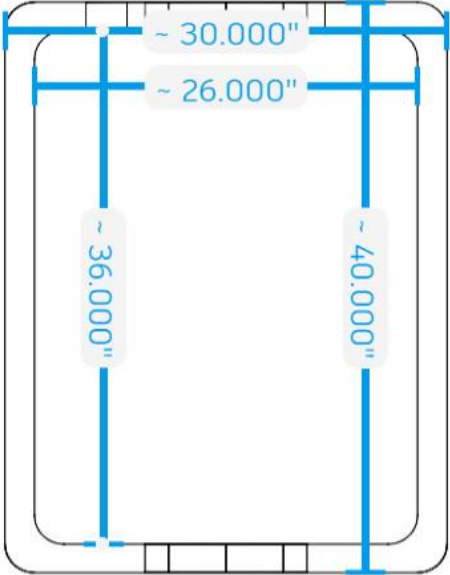
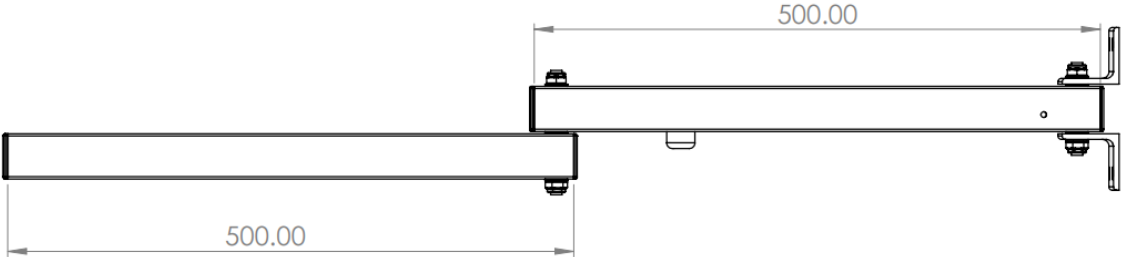
Not only is it durable, but it's also easy to install and maintain. With the help of its easy-to-use mounting bracket, you can have it up and running in no time. The light also has low maintenance requirements, making it a cost-effective solution for illuminating your dock area.

2. Structural characteristics

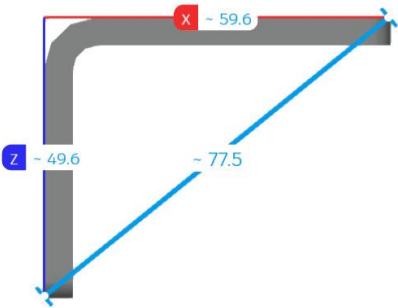
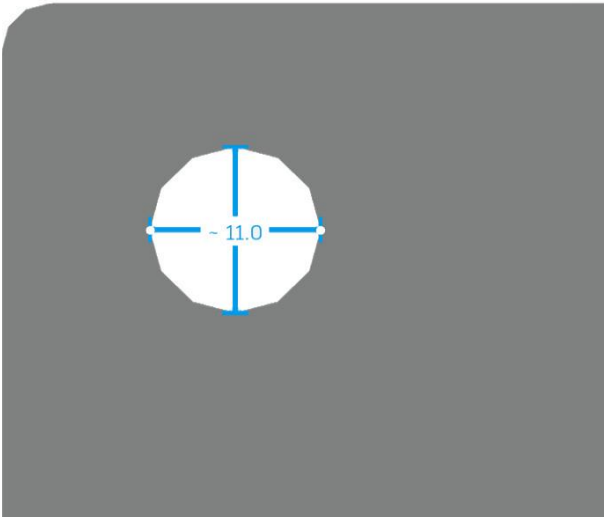
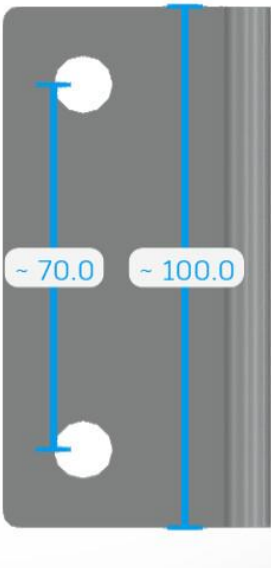
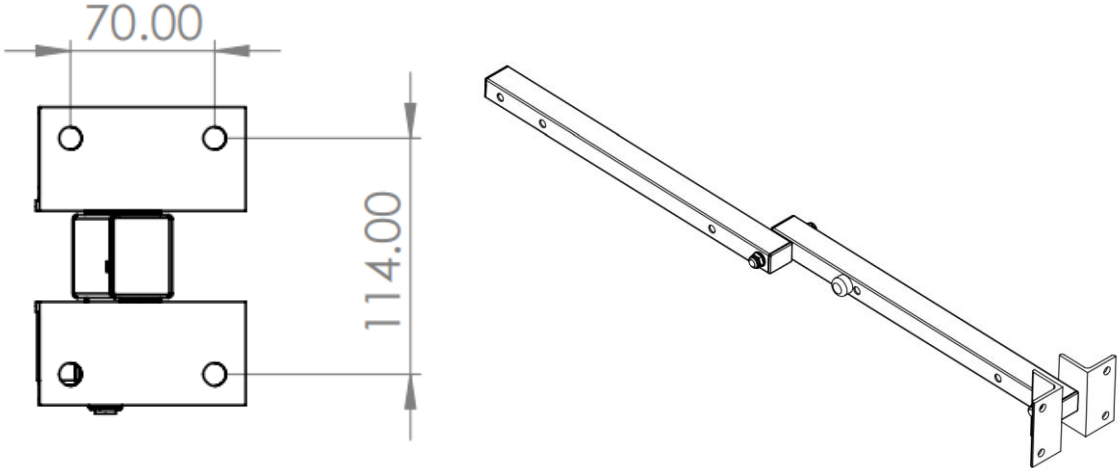


- A – Reinforced Montage Plates
- B – Safety Ground Localization
- C – Fully Dual Layer Painting for every part
- D – 3 x 1 Power Cable 230V, approx. 200cm
- E – Safety Bumper
- F – Reinforced Safety Cable Grommets
- G – Optional Extension C13 Connector
- H – Optional Extension Additional On/Off Switch
- I – Reflector 1750lm / 5700-700K temp. / 20W LED Spotlight

3. Structure Measurements



4. Montage plates measurements



The installation of the light requires four holes with a diameter of 10mm to be made on the wall mount. The precise spacing of these holes is depicted in the accompanying technical drawing above.

5. Reflector Information



| |
|-------------------------------|
| Dimensions Ø120x110x25mm |
| Maximum power 20W |
| Light color temperature 4000K |
| Working temp : -35+45C |
| Supply voltage 220-240V |
| Luminous Flux 1750lm |
| Frequency : 50 / 60Hz |
| Wide beam of light |
| Sealing class IP65 / IK08 |

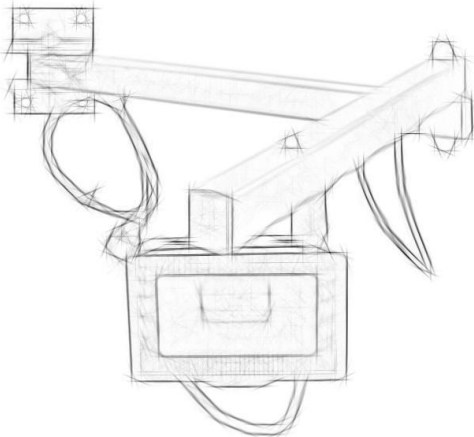
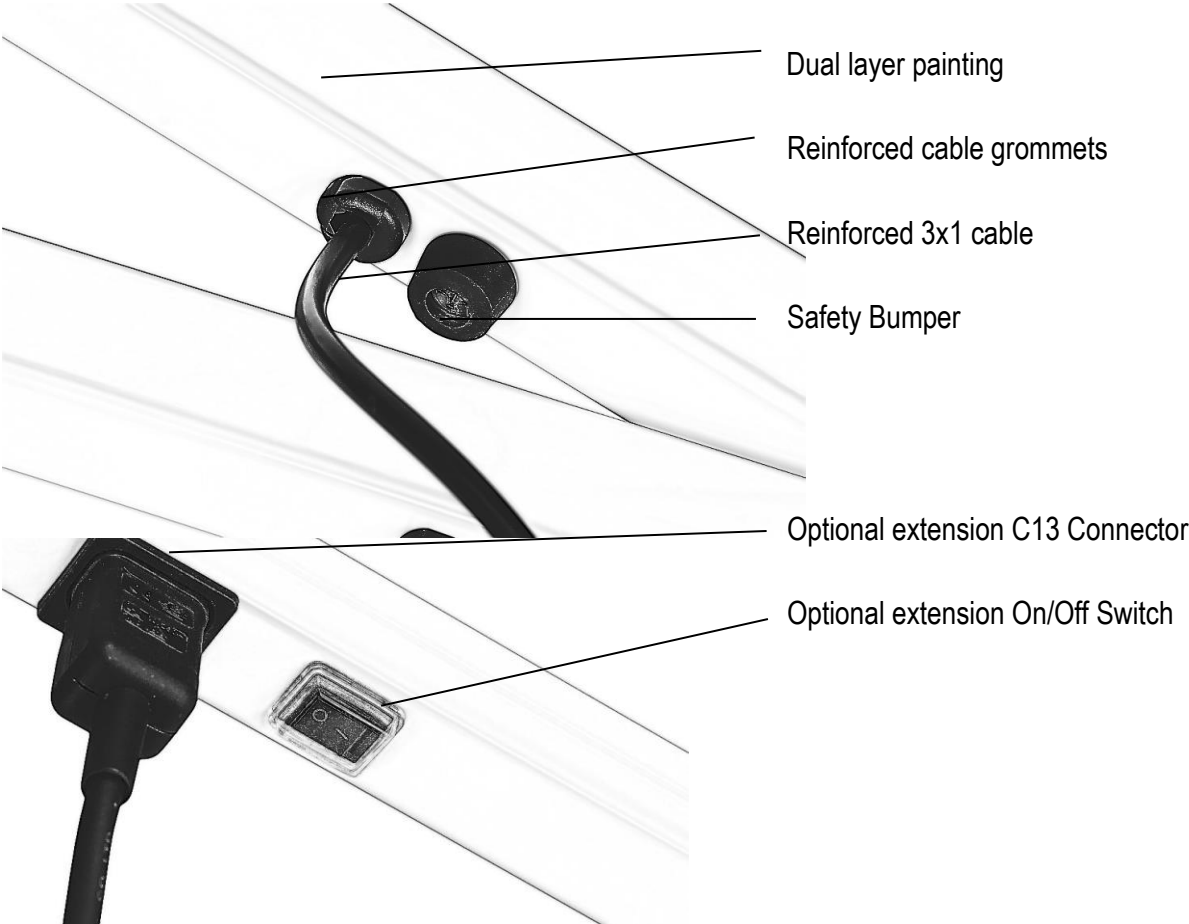
High Definition reflectors are designed to illuminate areas around loading bays, vehicles, mobile machinery and any locations that can be powered by the specified voltage. They are compliant with the Electromagnetic Compatibility Directive 2004/108/EC and do not emit electromagnetic interference and are resistant to it. They require power with the appropriate polarization. The installation locations include as freestanding on body parts. They can be mounted in any position (standing, suspended, side). They are equipped with a removable protective grate.

In conclusion, if you are looking for a durable, energy-efficient and aesthetic lighting solution for your dock area, the DS dock light is the perfect choice. Its sleek and modern design, combined with its rugged construction, makes it an ideal option for industrial environments. It will not only enhance the lighting but also add aesthetic value to the area. Trust in its reliability and efficiency to keep your dock area well-lit and safe.

CE declaration of conformity for all reflectors in our offer .



6. Additional Information



Innovate with confidence,
trust your new supplier for
a brighter future.